

## MODEL AND SIGNIFICANCE

SM8	—	250	H	/	PV	DC1500V	250
Company Code	Circuit Breaker	Breaking capacity: 15Ka	PV code:DC dedicated	Rated working voltage: DC1000V / DC1500V	Rated working current: 100/125/160/200/225/250		

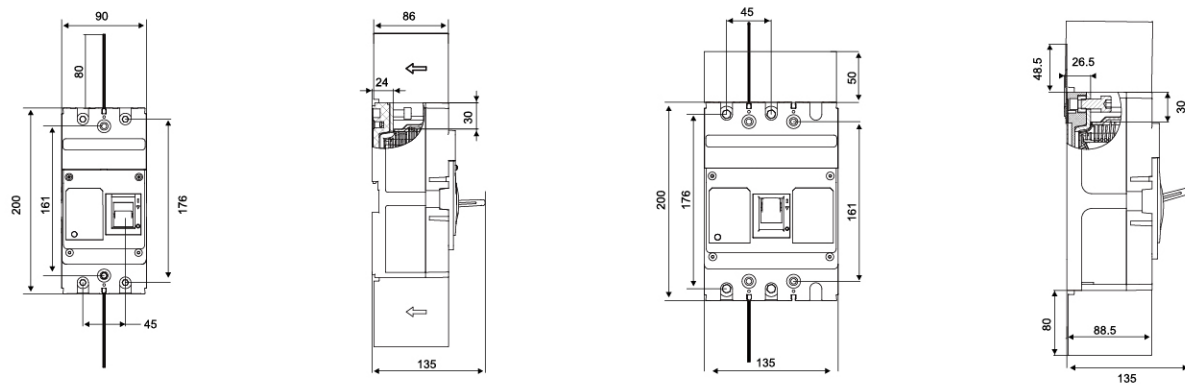
## GENERAL PARAMETERS

- Suitable for large solar photovoltaic power plants
- This circuit breaker has overload long delay and short-circuit instantaneous protection functions, which are used to distribute electrical energy and protect the circuit and power equipment from overload, short circuit and other fault hazards
- High current, can be used to protect batteries

## INSTALLATION PRECAUTIONS

- In a medium without explosion risk and free of gases and dust(including conductive dust) sufficient to corrode metal and destroy insulation
- In the condition with no snow erosion
- It can be installed horizontally and vertically
- The magnetic field of the installation position shall not exceed 5 times the geomagnetic field in any direction;
- It should not be installed in flammable and explosive places
- There should be no significant impact and vibration at the installation place

## DIMENSIONS (mm)



### DC MCCB

- SM8-250HPV / 2P 1000V
- SM8-250HPV / 3P 1500V



## ELECTRICAL PARAMETERS

Product Model	SM8-250HPV / 2P 1000V	SM8-250HPV / 3P 1500V
Product name	PV DC MCCB	PV DC MCCB
Rated service voltage Ue	DC1000V 1200V	DC1250V DC1500V
Rated insulation voltage Ui	1500V	1500V
Rated impulse withstand voltage Uimp	12kV	12kV
Numbers of poles	2	3
Trip type	Thermal magnetic (thermal magnetic non adjustable) TMD fixed	
Manufacturing standards	GB14048.2, IEC/EN 60947-2	
Use category	A(PV-1)	
Current shell frame In	250A	
Rated service current Ie	100/125/160/200/225/250/300/320A	100/125/160/200/225/250A
Breaking type	H	
Ultimate short circuit breaking capacity Icu	Ue1000v 15kA	Ue1500v 15kA Ue1250v 20kA
Rated service short-circuit breaking capacity Ics	75%ICU	Ue1500v 15kA Ue1250v 20kA
Current setting Ir	1In	
Instantaneous short circuit protection LiMechanical life	6In ( Min1000A )	
Mechanical life	10000Times	
Electrical life	2000Times	
Overall dimensions L×W×H	90×200 × 86mm	135×200 × 135mm
Installation mode	Fixed	
Ingress protection	Wiring terminal: IP20/all sides: IP40	
Relative humidity	Not more than 95% at +50°C	
With wiring polarity requirements or not	NO	
Class of pollution	Level 3	
Service temperature	-40°C -+75°C	
Operation indications	ON/OFF indication	
Whether the trip is adjustable	NO	
Electrical accessories	Option: shunt/auxiliary/alarm (note: only one set of auxiliary, alarm and shunt can be installed on the left and right side) 2P only on the left side	
Isolating function	Yes	