

VHR 12V200AH (12V200Ah)

Superior Cycle Gel Battery

SCG series is Superior Cycle VRLA Gel battery. By combining the newly developed nano gel electrolyte and high cyclic paste, SCG series delivers high cycle life, excellent high&low temperature performance, it is highly suited for renewable energy systems, outdoor telecom and other harsh environment require high cycle applications.

12 V voltage	200Ah capacity	GEL tech	12 years design life

TECHNICAL SPECIFICATIONS

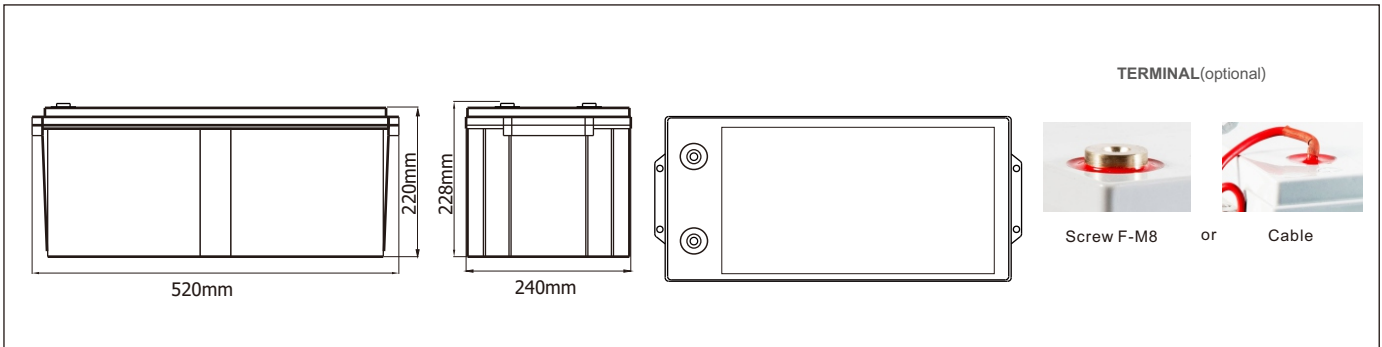
Nominal Voltage (V)	12 (6 cells per unit)
Designed Floating Life (25°C)	12 Years
Nominal Capacity (25°C)	200 Ah @ 10HR-rate (to 1.80Vpc)
Dimension (mm)	L520mm x W240mm x H228mm
Approx. Weight	58 kg (128 lbs)
Terminal Type	F-M8 or cable (torque:10~12N.m for F-M8)
Internal Resistance	< 0.003 Ohm (fully charged @ 20°C)
Max. Charge Current	50A
Max. Discharge Current (5S)	1500 A
Short Circuit Current	4000 A
Self Discharge	Approx. 2.5% per month @ 20°C
Ambient Temperature	Discharge: -40~60°C Charge: -20~55°C Storage: -25~45°C
Float Charge Voltage	13.5-13.62V/block @25°C (-3mV/ cell/°C)
Equalize and cycle Use Charge Voltage	14.1-14.4V/block @25°C
Container Material	ABS (UL94-V0 optional)



Complied standards

- IEC 60896-21/22
- GB/T19638
- IEC61427
- JIS C8704
- BS6290 part 4

BATTERY DIMENSIONS



BATTERY DISCHARGE TABLE

Constant Current Discharge Characteristics: Amps (25°C)									
F.V/Time	30min	1h	2h	3h	4h	5h	8h	10h	20h
1.70V	203	127	76.1	55.3	44.1	36.8	25.1	20.7	10.9
1.75V	196	125	74.8	54.5	43.6	36.4	24.7	20.4	10.7
1.80V	187	121	73.2	53.4	42.6	35.5	24.1	20.0	10.5
1.85V	177	115	70.4	51.7	41.4	34.6	23.6	19.5	10.3

Constant Power Discharge Characteristics: W/cell (25°C)									
F.V/Time	30min	1h	2h	3h	4h	5h	8h	10h	20h
1.70V	380	240	145	106	84.8	71.1	48.8	40.5	21.5
1.75V	370	237	144	105	84.6	70.8	48.5	40.2	21.2
1.80V	357	232	142	104	83.3	69.7	47.8	39.7	21.0
1.85V	340	224	138	101	81.7	68.5	47.0	38.9	20.6

PARAMETERS FOR SOLAR & WIND APPLICATIONS

Long time discharge capacity for Solar & Wind applications

Capacity	C ₂₄ (Ah)	C ₄₈ (Ah)	C ₇₂ (Ah)	C ₁₀₀ (Ah)	C ₁₂₀ (Ah)
VHR 12V200AH	214	226	232	242	250
Final Voltage	1.85V				

Solar & Wind applications parameters settings

Over voltage disconnect:	2.45±0.01V/cell @ 25°C
Regulation/equalize voltage:	2.40±0.01V/cell @ 25°C
Array reconnection voltage:	2.25±0.005V/cell @ 25°C
Float voltage setting:	2.27±0.005V/cell @ 25°C
Low voltage alarm voltage:	1.95±0.005V/cell @ 25°C
Low voltage disconnect:	1.90±0.005V/cell @ 25°C
Load reconnect voltage:	2.09±0.01V/cell @ 25°C
Temp. compensate coefficient:	-5mV/cell/°C

VHR 12V200AH (12V200Ah)

Superior Cycle Gel Battery

CHARACTERISTICS

