

Ficha Técnica

Medidor Remoto MT92

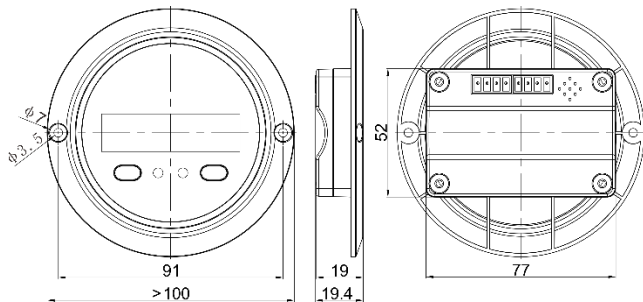


MT92

D. Specifications

Model	MT92
Compatible products	MSC-N series controllers
Power supply	5VDC
Power supply method	Controller communication port
LCD visual angle	12' clock
LCD backlight	Yes
Installation method	Surface mounting installation
Self-consumption	14mA/5V(no backlight) 23mA/5V(backlight)
Working temperature	-20°C~+60°C
Storage temperature	-35°C~+70°C
Dimension	φ100mm X 19.4mm(Diameter X Height)
Mounting dimension	φ100mm X 50mm(Diameter X Height)
Mounting hole size	φ3.5mm
Net Weight	65g

10. Dimension



Any changes without prior notice! Version number: V1.1