

PRODUCT LINE

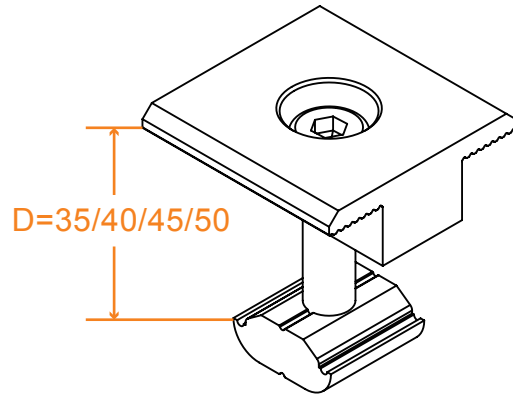
Item	Product Name
CK-FTM-35	CHIKO Fix Mid Clamp 35mm
CK-FTM-40	CHIKO Fix Mid Clamp 40mm
CK-FTM-45	CHIKO Fix Mid Clamp 45mm
CK-FTM-50	CHIKO Fix Mid Clamp 50mm

PRODUCT LINE

Main Material	AL 6005-T5
Tighten torque	15N.m
Safe torque	20N.m

Fix Mid Clamp

CHIKO mid clamps is designed base on 7R rail to fix module between two module, 30mm to 55mm thickness module are available.



ADVANTAGES

- Easy installation
- High class anodized
- Tilt- in nut

COMPONENT LIST

MATERIAL	QTY
Mid Clamp	01
SUS304 Bolt M8	01
057 Alu Nut	01

WARRANTY



ORDERING SPECIFICS

Standard Packaging	100 PCS/BOX 400PCS/CTN
Dimensions	51X38X22CM
Weight	26.8/27.5/28/28.6KG