

PRODUCT LINE

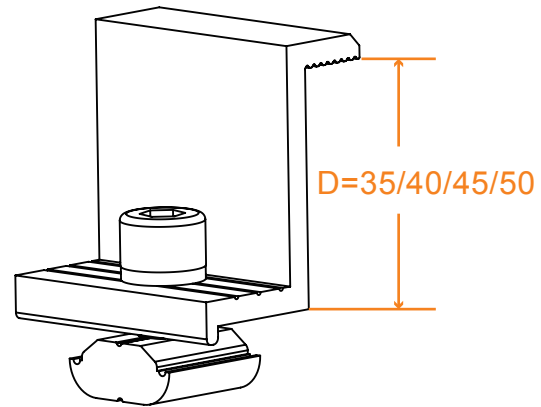
Item	Product Name
CK-FTE-35	CHIKO Fix End Clamp 35mm
CK-FTE-40	CHIKO Fix End Clamp 40mm
CK-FTE-45	CHIKO Fix End Clamp 45mm
CK-FTE-50	CHIKO Fix End Clamp 50mm

PRODUCT LINE

Main Material	AL 6005-T5
Tighten torque	15N.m
Safe torque	20N.m

Fix End Clamp

CHIKO end clamps is designed base on 7R rail to fix module on the end of rail, 30mm to 55mm thickness module are available.



ADVANTAGES

- Easy installation
- High class anodized
- Tilt- in nut

COMPONENT LIST

MATERIAL	QTY
End Clamp	01
SUS304 Bolt M8*25	01
SUS304 Washer M8	01
057 Alu Nut	01

WARRANTY



ORDERING SPECIFICS

Standard Packaging	100 PCS/BOX 400PCS/CTN
Dimensions	51X38X22CM
Weight	22/24.5/25.5/26KG