

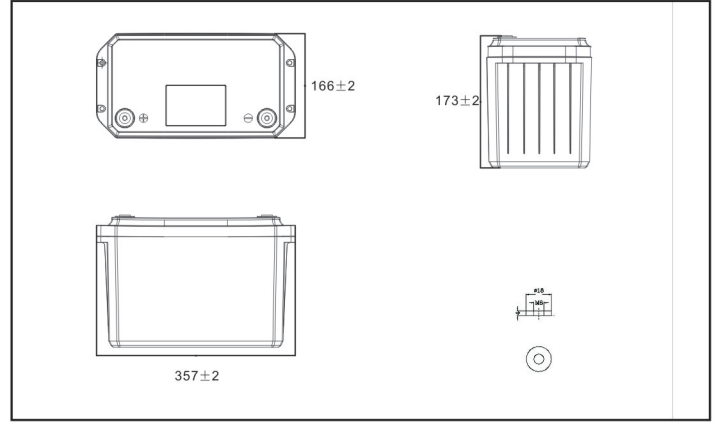
**MODEL: CNLFP75-12(DS)**

NO.:



**Plane Chart:**

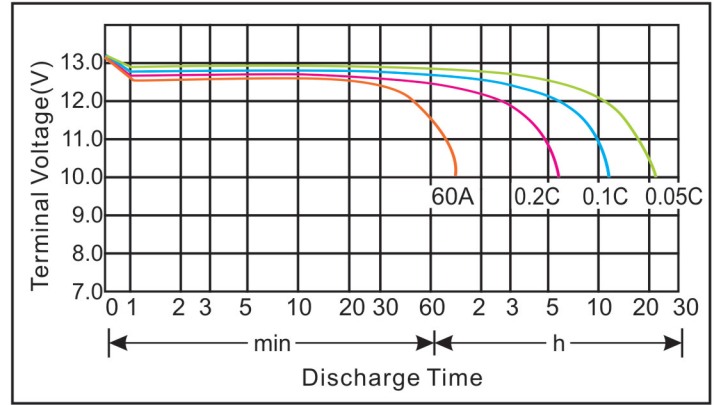
Unit:(mm) Terminal type:(T3)



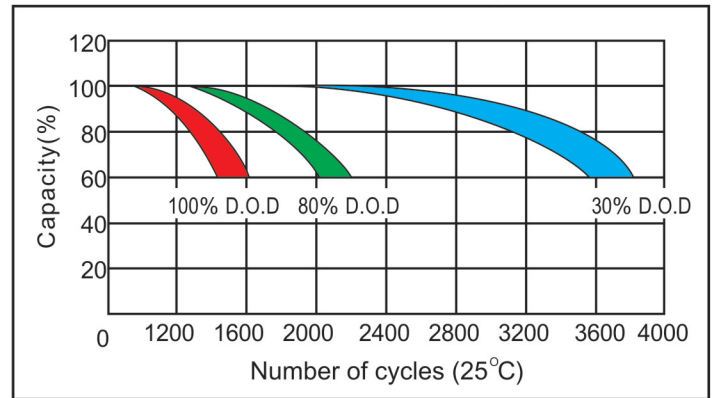
**Parameter Chart:**

Volts		12V	
Capacity(25°C)	10 hours rate (7.5A)	75Ah	
Internal Resistance	Full Charged Battery 25°C	≤ 30mΩ	
Capacity Affected By Temperature	40°C	101%	
	25°C	100%	
	0°C	93%	
	-20°C	73%	
Residual Capacity (25°C)	Capacity After 3 Months Storage	92%	
	Capacity After 6 Months Storage	85%	
	Capacity After 12 Months Storage	67%	
Charge (Constant Voltage)	Cycle (25°C)	Initial Charging Current Less Than 60A Voltage 14.4~15.0V	
	Float (25°C)	Charge Voltage 13.6~13.8V	
Discharge Current (25°C)	60A (Max. continuous) ; 90A (5 Seconds)		
Weight (Approx)		9.3Kg	

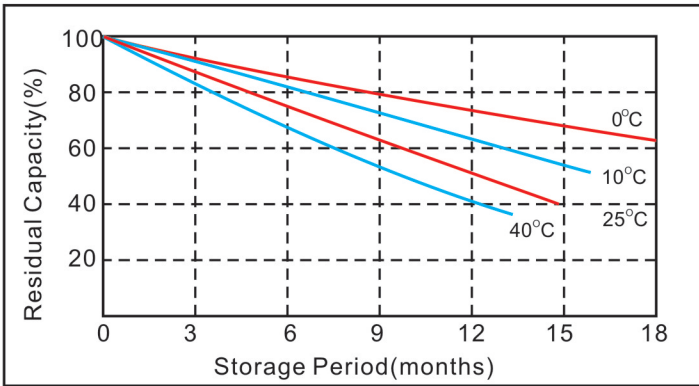
**Discharge Current 25°C**



**Cycle service life in relation to the depth of discharge**



**Residual Capacity**



**Constant Current Discharge Characteristics (A, 25°C)**

F.V/Time	1.2h	2.2h	3h	4h	5h	8.8h	10h	21h
10V	60	32.5	25	18.75	15	8.5	7.5	3.75

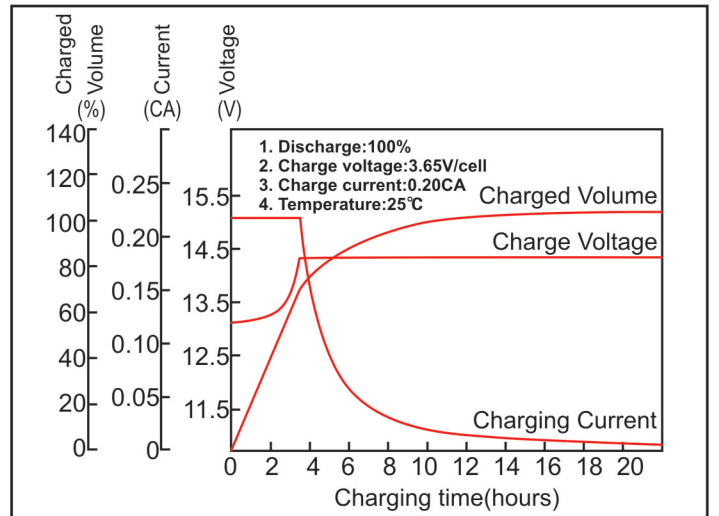
**Constant Power Discharge Characteristics (Watt, 25°C)**

F.V/Time	1.2h	2.2h	3h	4h	5h	8.8h	10h	21h
10V	780	390	300	225	180	102	90	45

**Capacity Factors With Different Temperature**

Battery Type		-20°C	-10°C	0°C	5°C	10°C	20°C	25°C	30°C	40°C	45°C
Li Battery	12V	73%	82%	93%	95%	97%	100%	100%	100%	101%	102%

**Constant voltage charging characteristics**



★The above are average and data obtained from the first 3 charge/discharge cycles. These are not minimum values.